



# RockRanger

## MR Mobile Primary Jaw Crusher



Quality Engineered  
Excellence Since 1911



# Parker MR0750 RockRanger Jaw Crushing Plant

The RockRanger MR is a fully mobile primary crushing plant complete with a Parker RockSizer single toggle Jaw crusher. Built around a strong straight beam chassis with standard supports for feed section, crusher, power unit and conveyor frame. The chassis is complete with access/maintenance platforms to the crusher and power unit and a main operator platform overlooks all stages of operation. The RockRanger MR is a high-capacity, extremely mobile crushing unit suitable for demolition, quarry or gravel feed application.

## 1 Feed Hopper

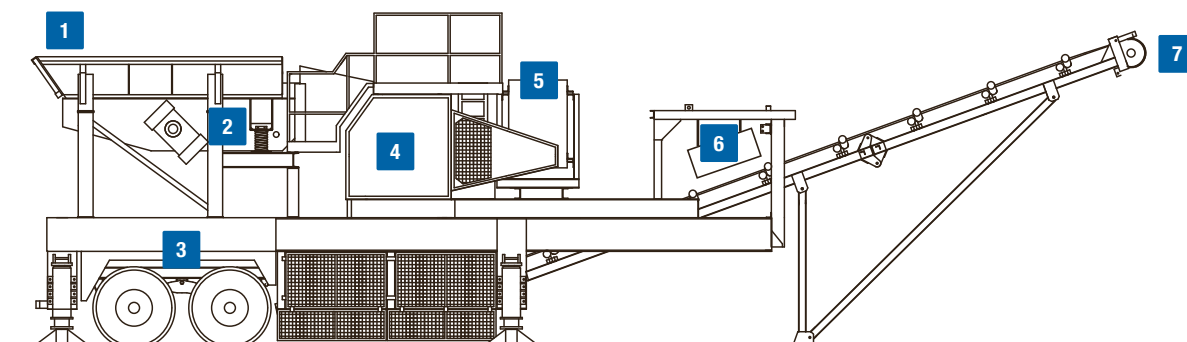
Externally reinforced heavy duty steel plate hopper.

## 2 Feeder Grizzly

Vibrating feeder with integral grizzly section supported on heavy duty coil springs. The linear movement is imparted to all parts by twin contra-rotating vibrating motors.

## 3 Chassis and Running Gear

Robust fabricated chassis complete with access maintenance platforms and access ladders. Operating jacks are as standard for levelling the machine.



## 4 Jaw Crusher

RockSizer (single toggle up-thrust) design jaw crusher. Fabricated heavy duty steel plate body. High grade steel eccentric shaft. Hydraulically adjusted jaw settings.

## 5 Power Unit

Diesel electric or electric power source option.

## 6 Over-band Magnet

Optional over-band magnet is available for clearing metal fragments from crushed material.

## 7 Product Conveyor

Wide belt conveyor with heavy duty impact idlers under crusher discharge. Lagged head drive drum with sealed for life bearings on all idlers and bearings. Folds back for travelling.

## Advantages:

- 'MR' Conforms to European design standards for road use.
- High capacity RockSizer Jaw crusher.
- Wide discharge conveyor/good under crusher clearance.
- Diesel electric or electric power source option.
- Heavy duty feeder with grizzly section.
- Rapid to relocate, easy to set-up & operate.

## Options:

- Side discharge conveyor
- Over-band magnet
- Operators cabin
- Hydraulic breaker
- Hydraulic front jacks
- Hydraulic product conveyor
- Hydraulic tail lift
- Hydraulic folding side conveyor
- Hydraulic clutch release
- Dust suppression
- Plant lighting

## Specifications:

Crusher Size	Maximum Feed Size (mm)	Feed Height (mm)	Vibrating Grizzly Feeder (mm)	Product Conveyor width (mm)	Product Conveyor Discharge Height (mm)	Power to Drive (kW)	Total Machine Weight (tonnes)	Weight on the Kingpin /Rear axle (tonnes)	Travelling Length (mm)	Travelling Width (mm)	Travelling Height (mm)	Jaw Setting (mm) & Crusher Capacity (tonnes/hour)					
												40	50	65	75	100	125
700 x 500	410	4000	800x2700	800	3320	37	24	10/14	9620	2500	4000/4550*	35-45	46-60	50-65	65-85	80-105	100-130

\*Transport height with and without handrail removed

**NOTE:** Capacities quoted are intended as a guideline only, and are based on a clean, dry graded continuous feed material (weighing 1600kg/m<sup>3</sup> (100lb/ft<sup>3</sup>) and a S.G. of 2.7 average), which will readily enter the crusher feed opening without obstruction, with 100% greater than the jaw setting and 25% less than twice the jaw setting. Actual capacities can vary considerably from those given, due to the following application and operational factors: 1) **MATERIAL** - Friability & Toughness, 2) **FEED CONDITIONS** - Grading of feed size (Compliance with Euro STD). 3) **INSTALLATION** - Method of feeding, Removal of undersize. [Operation at settings outside those stated should be referred to the works].

Parker Plant Limited, Viaduct Works, Canon Street, Leicester, LE4 6GH, United Kingdom

T: +44 (0) 116 266 5999 F: +44 (0) 116 261 0812 W: [www.parkerplant.com](http://www.parkerplant.com) E: [sales@parkerplant.com](mailto:sales@parkerplant.com)

All reasonable steps have been taken to ensure the accuracy of this publication. However, due to our policy of continual product development, Parker Plant Limited reserve the right to change details without prior notice. All machines supplied in accordance with our standard conditions. Illustrations and photos may show optional equipment. All rights reserved.