



ConeRanger

Transportable Cone Crushers

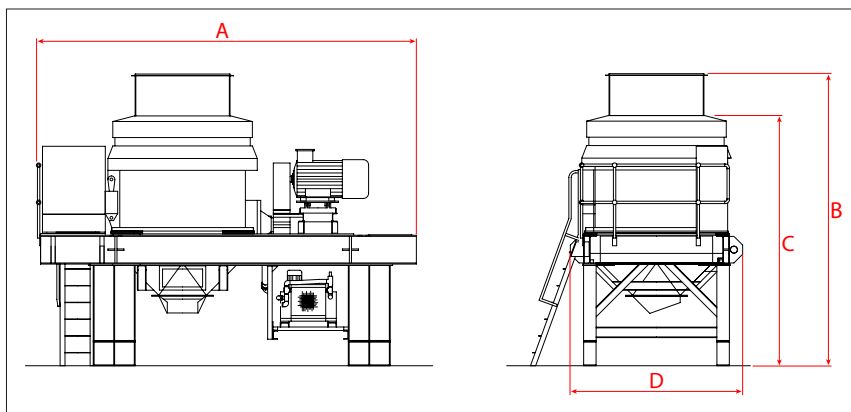


Quality Engineered
Excellence Since 1911

Parker 'ConeRanger' CP Series

The Parker 'ConeRanger' CP is a crushing unit designed to operate in a secondary or tertiary role. The transportable chassis offers easy transportation between locations and rapid on-site set up. Incorporating the well proven fully hydraulic Parker Cone Crusher, this unit is ideal for working in a composite crushing arrangement with Parker primary crushing plants, screens and conveyors.

| Cone Ranger Model | Machine Size | Power to Drive Crusher (kW) | Weight (tonnes) | Dimensions (mm) | | | |
|-------------------|--------------|-----------------------------|-----------------|-----------------|------|------|------|
| | | | | A | B | C | D |
| CP900 | 900 | 75 | 14.7 | 4620 | 3750 | 3150 | 2240 |
| CP1200 | 1200 | 110 | 23.5 | 5460 | 4160 | 3560 | 2470 |
| CP1350 | 1350 | 150 | 28.5 | 5550 | 4468 | 3868 | 2680 |



| Size | Cavity | Recommended Minimum Discharge Setting (mm) | Feed Opening (mm) | | Crusher Closed Side Setting (mm) Recommended Range | | | | | | | | | | Maximum Jaw Setting (mm) | | | |
|------|---------------|--------------------------------------------|-------------------|-------------|----------------------------------------------------|-----|-----|-----|-----|-----|-----|-----|-----|-----|--------------------------|----|--|-----|
| | | | Open Side | Closed Side | 6 | 8 | 10 | 12 | 15 | 20 | 25 | 30 | 35 | 40 | | 50 | | |
| 900 | Extra Fine | 6 | 45 | 30 | 55 | 65 | 70 | 80 | | | | | | | | | | |
| | Fine | 8 | 65 | 45 | | 70 | 80 | 85 | 95 | | | | | | | | | |
| | Medium Fine | 10 | 85 | 65 | | | 80 | 90 | 100 | 115 | | | | | | | | |
| | Medium | 12 | 115 | 95 | | | | 95 | 105 | 120 | 135 | 150 | | | | | | 65 |
| | Medium Coarse | 15 | 150 | 130 | | | | | 110 | 125 | 140 | 165 | 190 | | | | | 75 |
| | Coarse | 25 | 180 | 165 | | | | | | | 150 | 170 | 195 | 220 | | | | 115 |
| | Extra Coarse | 30 | 215 | 200 | | | | | | | | 180 | 210 | 235 | | | | 125 |
| 1200 | Extra Fine | 6 | 75 | 55 | 85 | 95 | 100 | 110 | | | | | | | | | | |
| | Fine | 8 | 90 | 65 | | 100 | 105 | 120 | 130 | | | | | | | | | |
| | Medium Fine | 12 | 115 | 90 | | | | 130 | 145 | 165 | 180 | | | | | | | |
| | Medium | 15 | 145 | 135 | | | | | 150 | 170 | 195 | 225 | | | | | | 115 |
| | Medium Coarse | 20 | 170 | 155 | | | | | | 175 | 205 | 230 | 265 | 300 | | | | 125 |
| | Coarse | 25 | 210 | 195 | | | | | | | 210 | 240 | 275 | 315 | 350 | | | 140 |
| | Extra Coarse | 30 | 250 | 230 | | | | | | | | 255 | 290 | 340 | 380 | | | 150 |
| 1350 | Extra Fine | 6 | 75 | 55 | 120 | 130 | 145 | 160 | | | | | | | | | | |
| | Fine | 10 | 100 | 75 | | | 150 | 170 | 190 | 200 | | | | | | | | |
| | Medium Fine | 15 | 125 | 95 | | | | | 200 | 220 | 235 | 250 | | | | | | |
| | Medium | 20 | 160 | 145 | | | | | | 225 | 245 | 290 | 320 | | | | | 125 |
| | Medium Coarse | 25 | 210 | 190 | | | | | | | 260 | 300 | 340 | 380 | | | | 150 |
| | Coarse | 30 | 250 | 230 | | | | | | | | 330 | 370 | 415 | 455 | | | 180 |
| | Extra Coarse | 35 | 280 | 260 | | | | | | | | | 400 | 445 | 490 | | | 200 |

NOTE: Capacities quoted are intended as a guideline only, and are based on a clean, dry graded continuous feed material (weighing 1600kg/m³ (100lb/ft³) and a S.G of 2.7 average), which will readily enter the crusher feed opening without obstruction. Actual capacities can vary considerably from those given, due to the following application and operational factors: 1) **MATERIAL** - Friability & Toughness, 2) **FEED CONDITIONS** - Grading of feed size (Compliance with Euro STD). 3) **INSTALLATION** - Method of feeding, Removal of under size. [Operation at settings outside those stated should be referred to the works].

Parker Plant Limited, Viaduct Works, Canon Street, Leicester, LE4 6GH, United Kingdom

T: +44 (0) 116 266 5999 F: +44 (0) 116 261 0812 W: www.parkerplant.com E: sales@parkerplant.com

All reasonable steps have been taken to ensure the accuracy of this publication. However, due to our policy of continual product development, Parker Plant Limited reserve the right to change details without prior notice. All machines supplied in accordance with our standard conditions. Illustrations and photos may show optional equipment. All rights reserved.